



Integrally Heated Sprue Bushings

NEW Improved Patented Design!

The **Integrally Heated Sprue Bushing** is uniquely designed for high performance and reliability for Direct Feed Applications, even with the most demanding molding cycles and plastic resins.

The advanced heat transfer capability is attributed to the integrally heated design, resulting in a more uniform heat profile.

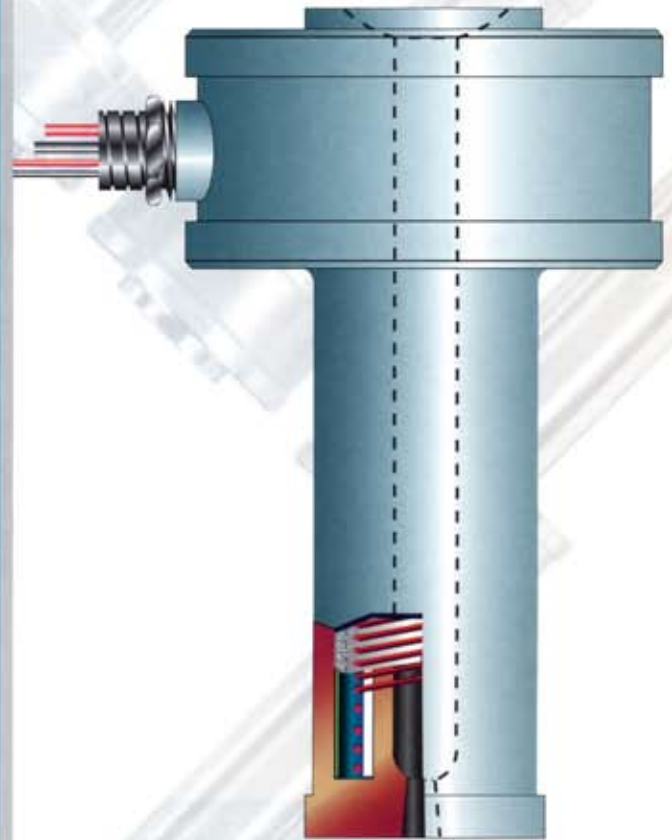
A replaceable thermocouple is strategically located close to the melt flow channel for optimization of processing conditions with all thermoplastics.

Features & Benefits:

- * **Distributed watt density...**
maintains a more uniform heat profile.
- * **High refractory insulation...**
provides superior heat transfer.
- * **Streamlined flow channel...**
provides minimum pressure loss.
- * **Fully sealed construction...**
maintains highest product reliability.
- * **High grade alloy steel construction...**
increases durability and longer life.
- * **Replaceable thermocouple...**
allows for Type "J" or "K".



Three tip styles accommodate a wide range of part gating and runner applications.



- **Integral Heat**
- **3 Flow Diameters**
- **3 Tip Styles**
- **2 Head Styles**

Heaterwerks, Inc.

1900 E Devon Elk • Grove Village, IL 60007
Ph: 630-359-6200 • Fx: 630-589-8235
www.heaterwerks.com

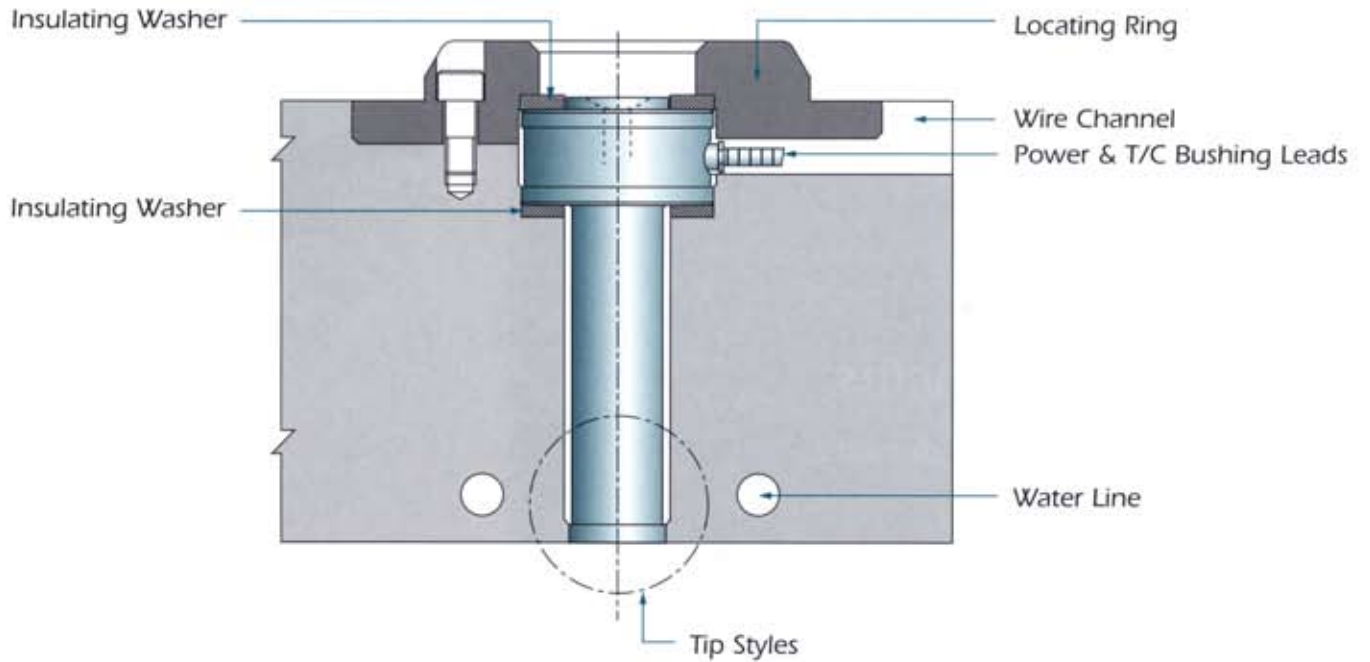
HEATER  WERKS



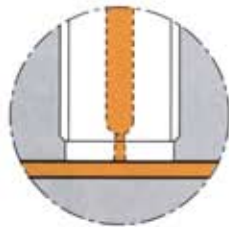
Direct Feed Applications

Integrally Heated Sprue Bushings

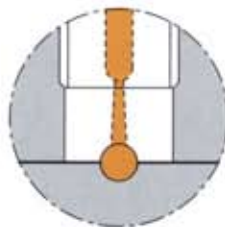
Direct Feed Application Diagram



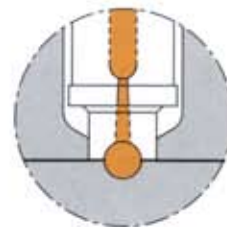
Tip Styles & Flow Diagrams



Sprue Style Tips



Extra Stock Sprue Style Tips



Eurostyle Sprue Tips

HEATER  WERKS

1900 E Devon Elk • Grove Village, IL 60007
Ph: 630-359-6200 • Fx: 630-589-8235 • www.heaterwerks.com