



Accugate 197 Hot Runner Bushings

Exclusive NEW Design!

The New *Accugate 197 Hot Runner Bushing* is designed to run mid-size molded parts where a medium pitch is required. Advanced heat transfer technology provides optimum performance. The special tip design allows for the *Accugate 197* to process commodity, engineering and filled resins while drastically reducing tip wear at the gate.

Features & Benefits:

- * **Exclusive "Flat Gate"™ System...**
means gate vestige is minimized and each design can be customized.
- * **Advanced Integral Sleeve Heater...**
means extended heater life.
- * **Unique Wear Resistant Tip Design...**
means less downtime due to tip repair.
- * **Medium Pitch...**
means the *Accugate 197* can service more mid-size molds/part shot sizes.
- * **Consistent Heat Profile...**
means optimum hot runner performance.
- * **Resin Versatility...**
means a wide range of resins can be processed for more applications.
- * **Replaceable Tips, Heater and T/C...**
means easy serviceability.



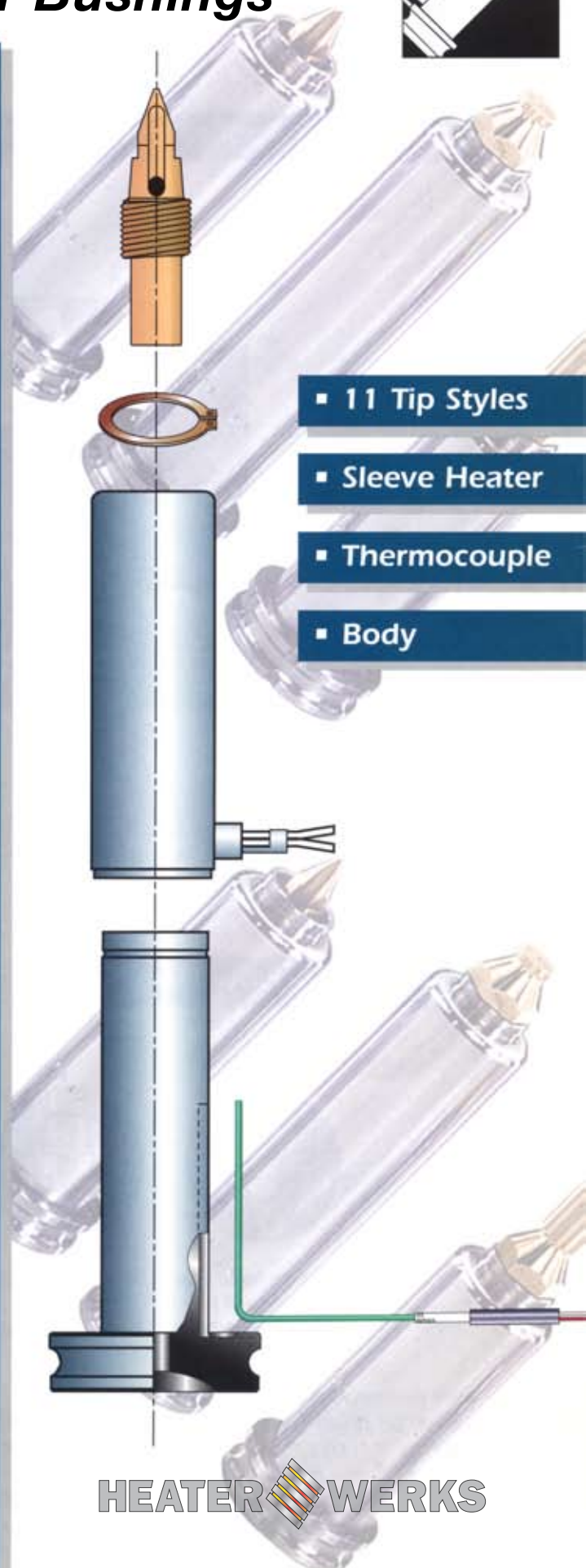
Eleven interchangeable tips, available in Pinpoint, Sprue and Extra Stock Sprue styles accommodate most applications. Wear Resistant tips are constructed from a special alloy.

Heaterwerks, Inc.

1900 E Devon Elk • Grove Village, IL 60007

Ph: 630-359-6200 • Fx: 630-589-8235

www.heaterwerks.com



▪ 11 Tip Styles

▪ Sleeve Heater

▪ Thermocouple

▪ Body

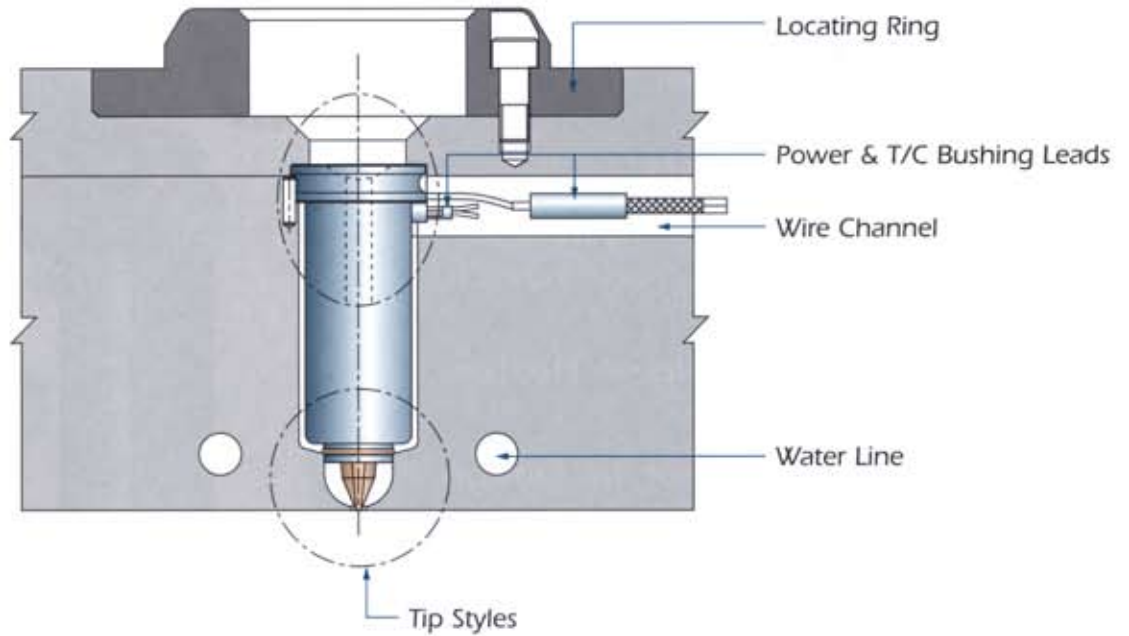
HEATER  WERKS



Direct Feed Applications

Accugate 197 Hot Runner Bushings

Direct Feed Application Diagram



Tip Styles & Flow Diagrams



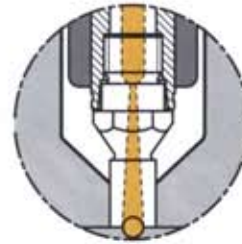
Pinpoint Style Tips
(Standard & Wear Resistant)



Sprue Style Tips
(Standard & Wear Resistant)



Extra Stock Sprue
Style Tips
(Standard & Wear Resistant)



Extra Stock Sprue
Style Tips - Nylon
(Wear Resistant)



1900 E Devon Elk • Grove Village, IL 60007
Ph: 630-359-6200 • Fx: 630-589-8235 • www.heaterwerks.com