

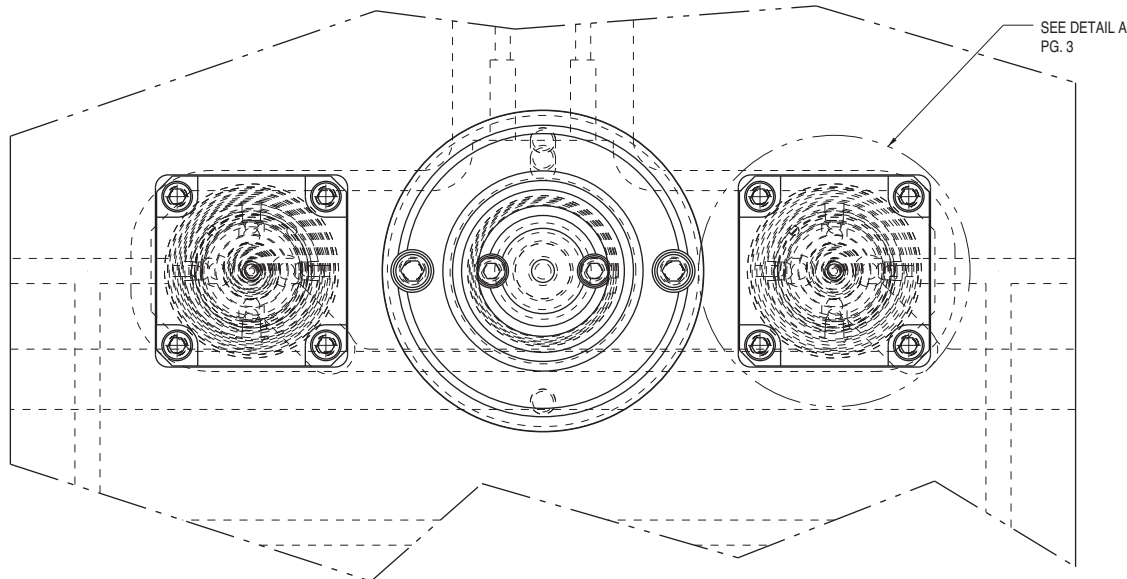
Accugate Series Valve Gate Technical Specifications

.197 Accugate Series Valve Gate

All specifications are subject to change without notification.

Manifold Thickness	Dimension AA	Dimension BB	Dimension CC
1.875" (47.63 mm)	4.880" (123.95 mm)	2.391" (60.73 mm)	2.4011" (60.98 mm)
2.375" (60.33 mm)	5.380" (136.65 mm)	2.891" (73.43 mm)	2.9011" (73.68 mm)

Components - Plan View



Tol. "a" Chart

in: +.001
- .000
mm: +.02
- .00

Tol. "b" Chart

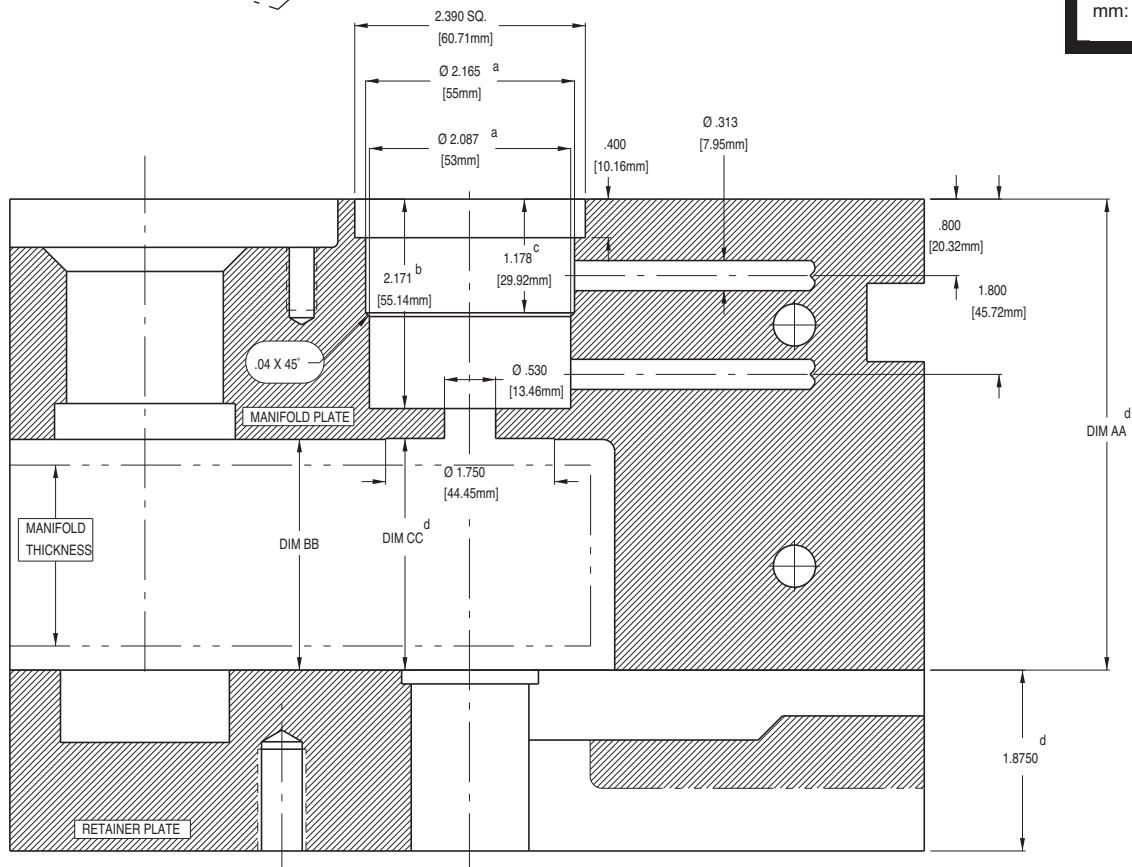
in: +.000
- .001
mm: +.00
- .02

Tol. "c" Chart

in: ± .005
mm: ± .12

Tol. "d" Chart

in: +.0005
- .0000
mm: +.01
- .00



Dimensions are in inches. Millimeters are in parentheses.
Note: For additional gate dimensions see page 5.

1

Accugate Series Valve Gate Technical Specifications

MANIFOLD APPLICATIONS

.197 Accugate Series Valve Gate

All specifications are subject to change without notification.

Chart A

Valve Gate Assembly Parts							
Assembly	Bushing	Heater	Watts	L Dim.		Thermocouple	Retaining Ring
HVG12014	VB012014	RH19000	285	2.205	(56.00)	TC00006	100101
HVG12015	VB012015	RH19001	370	2.913	(74.00)	TC00007	100101
HVG12016	VB012016	RH19002	435	3.465	(88.00)	TC00008	100101
HVG12017	VB012017	RH19003	520	4.173	(106.00)	TC00009	100101
HVG12018	VB012018	RH19004	605	4.882	(124.00)	TC00010	100101

Assembly includes actuator assembly, valve pin, bushing, heater and thermocouple. Tips are separate.

Dimensions are in inches. Millimeters are in parentheses.

.197 Accugate Series Gate Options

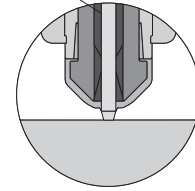
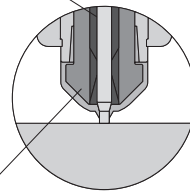
Chart B

General Purpose	Wear Resistant
TP06000	TP06001

STRAIGHT GATE

TAPERED GATE

TIP



.197 Accugate Series Engineering

Chart C

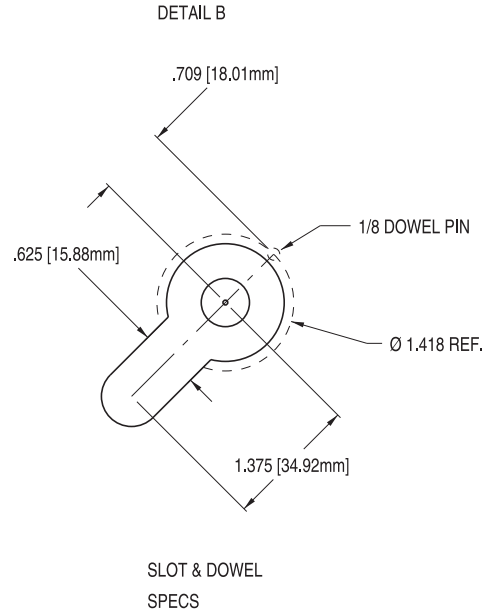
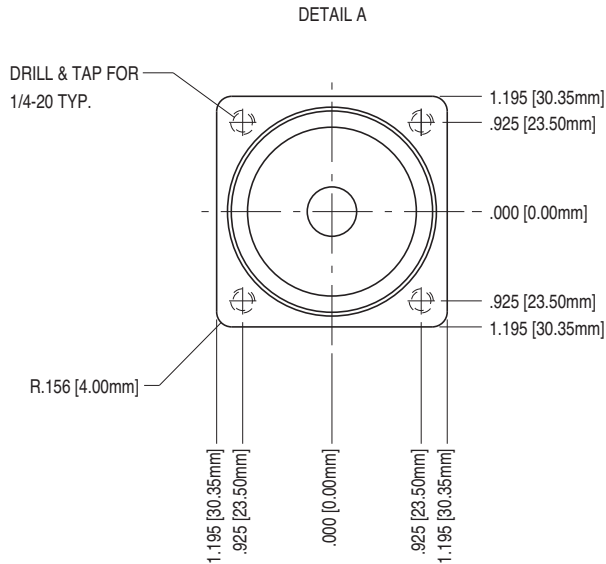
.197 Accugate Series Resin Compatibility Chart			
Gating Options	Commodity Resin	Engineering Resin	Glass-Filled Resin
Straight Gate	●	●	●
Tapered Gate	●	●	●

Reference: ● = Recommended

Accugate Series Valve Gate Technical Specifications

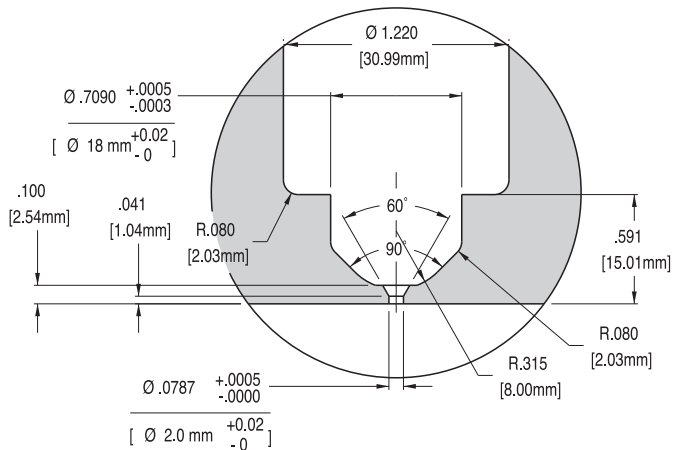
.197 Accugate Series Bore Dimensions

All specifications are subject to change without notification.



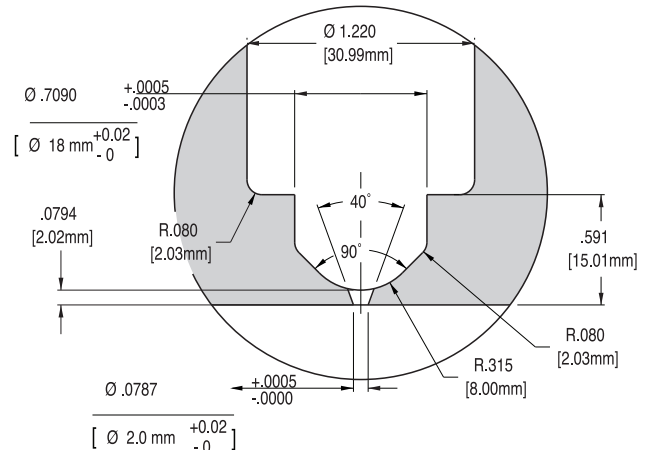
Gate Types

STRAIGHT GATE DETAIL



BORE & GATE DETAIL

TAPERED GATE DETAIL



BORE & GATE DETAIL

*Minimum gate size 0.040" (1.00mm) /
Maximum gate size 0.100" (2.50mm).

*Parting line within this dimension.

Dimensions are in inches. Millimeters are in parentheses.