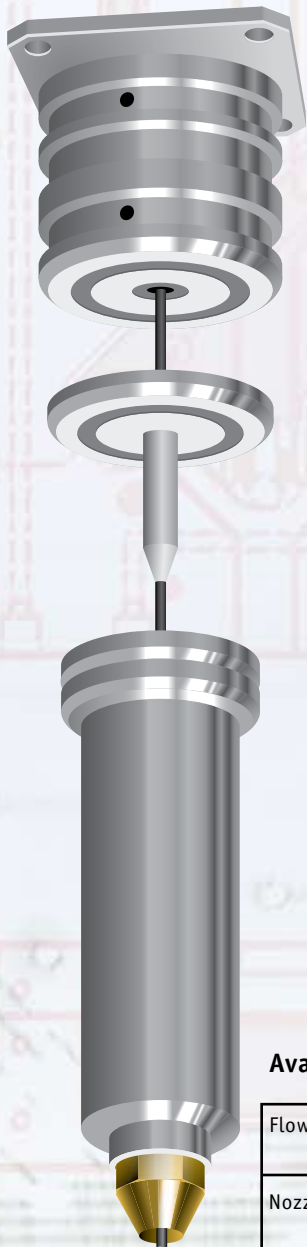


Valve Gate Accugate Series

Pneumatic Actuation

Unique Shut-Off Pin Design

*Heaterwerks
Modular Construction*



Valve Gate Engineered To Last

Utilizing the Accugate Series superior heating technology, the Heaterwerks Accugate Series Valve Gate is one of the most reliable and technically accomplished valve gates available. An unequalled guided tip design, patented heating technology, and a truly modular construction allows for unsurpassed reliability.

Features and Benefits

- Reliability**
 The Accugate Series superior heat transfer capabilities ensure maximum heater life leading to lower maintenance costs and less downtime. To minimize pin replacement, a unique shut-off pin alignment design minimizes wear on the gate diameter, greatly extending the life of the pin.
- Improved Cosmetic Surfaces**
 Ensuring superior cosmetic surfaces, a unique cylindrical pin design requires less shut off force resulting in a secure seal and better quality parts.
- Easy to Use and Service**
 Taking modular construction to the next level, all tips, thermocouples, and heaters can be easily replaced while inside the press. The patented Accugate Series sleeve heater design allows for quick and easy heater replacement while our unique pin design allows for quick and easy replacement of pins. For clean and trouble-free use, a pneumatic actuator is designed in.
- Unique Heating Element Technology**
 At the core of any hot runner system is its heating technology. Our unique high compaction manufacturing process enables better heat transfer resulting in a longer lasting heater. Precision manufacturing processes result in exact heat profiles enabling versatile and better processing capabilities.

Availability

Flow Channel Diameters	.25 to .625 inches 6.35 to 15.87 mm
Nozzle Length	3 to 12 inches 76.2 to 304.8 mm
Processing Part Weight	5 to 3000 grams
Can process a wide range of commodity and engineering materials	ABS, PC, PMA, PET, PP and many others

heating elements

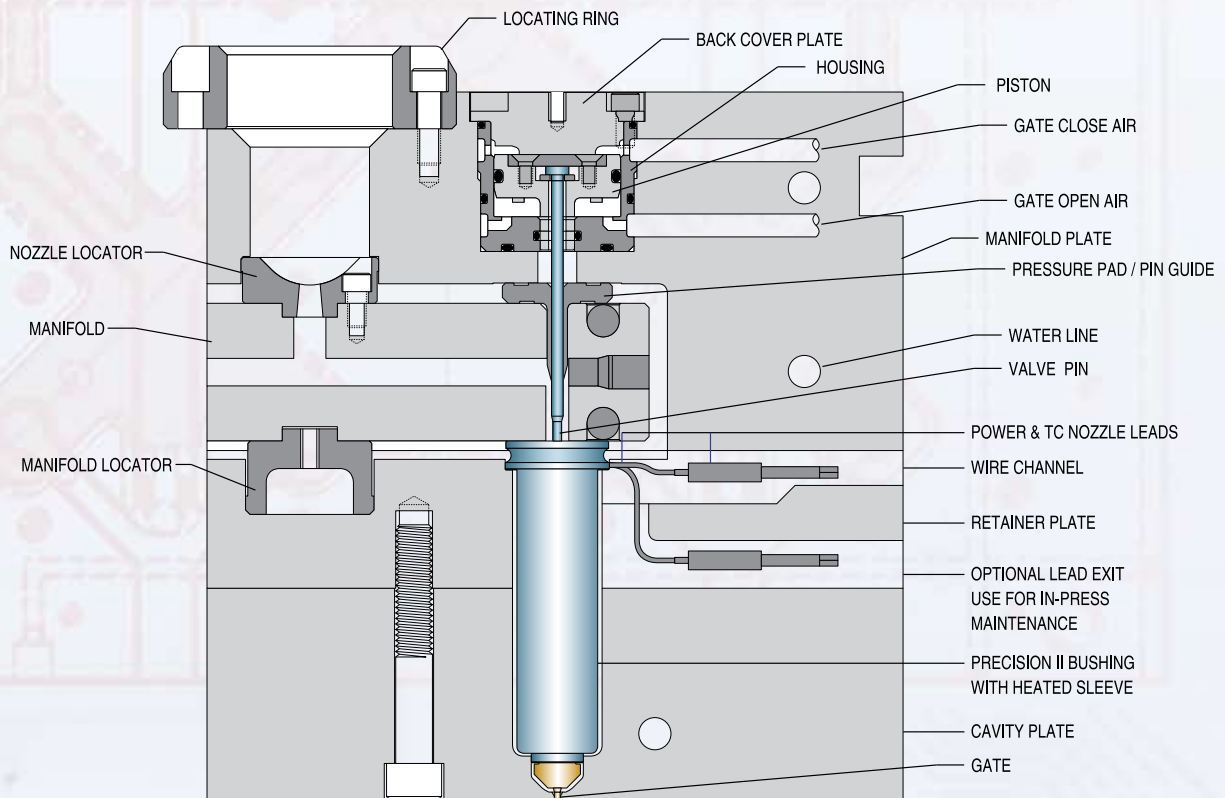
hot runner systems

sensors/controls

reliability. always.

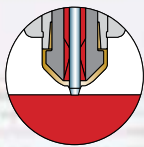
Valve Gate Accugate Series

Manifold Application Diagram



Gating Options

TAPERED GATE



STRAIGHT GATE



HEATER  **WERKS**

1900 E Devon Elk • Grove Village, IL 60007

Ph: 630-359-6200 • Fx: 630-589-8235

www.heaterwerks.com