

Micron Series Hot Runner Nozzles

9 Tip Styles

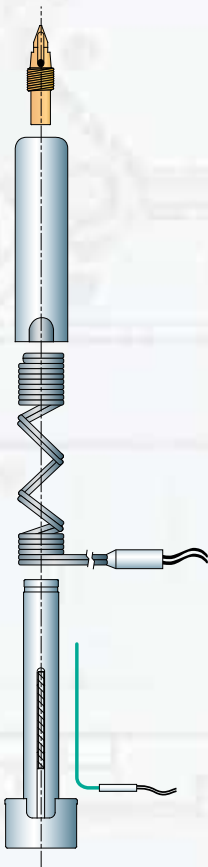
Shield

Heaterwerk

Coil Heater

Thermocouple

Body



Nine interchangeable tips available in Pinpoint, Sprue and Extended Sprue styles, accommodate most applications. Wear Resistant tips are constructed from a special tip alloy, exclusive to Heaterwerks

Exclusive NEW Design

The New **Micron Hot Runner nozzle** is designed to run small molded parts where close pitch (cavity center distance) is required. Advanced heat transfer technology provides exceptional performance. The special tip design allows for the Micron to process commodity, engineering and filled resins while drastically reducing tipwear at the gate.

Features and Benefits

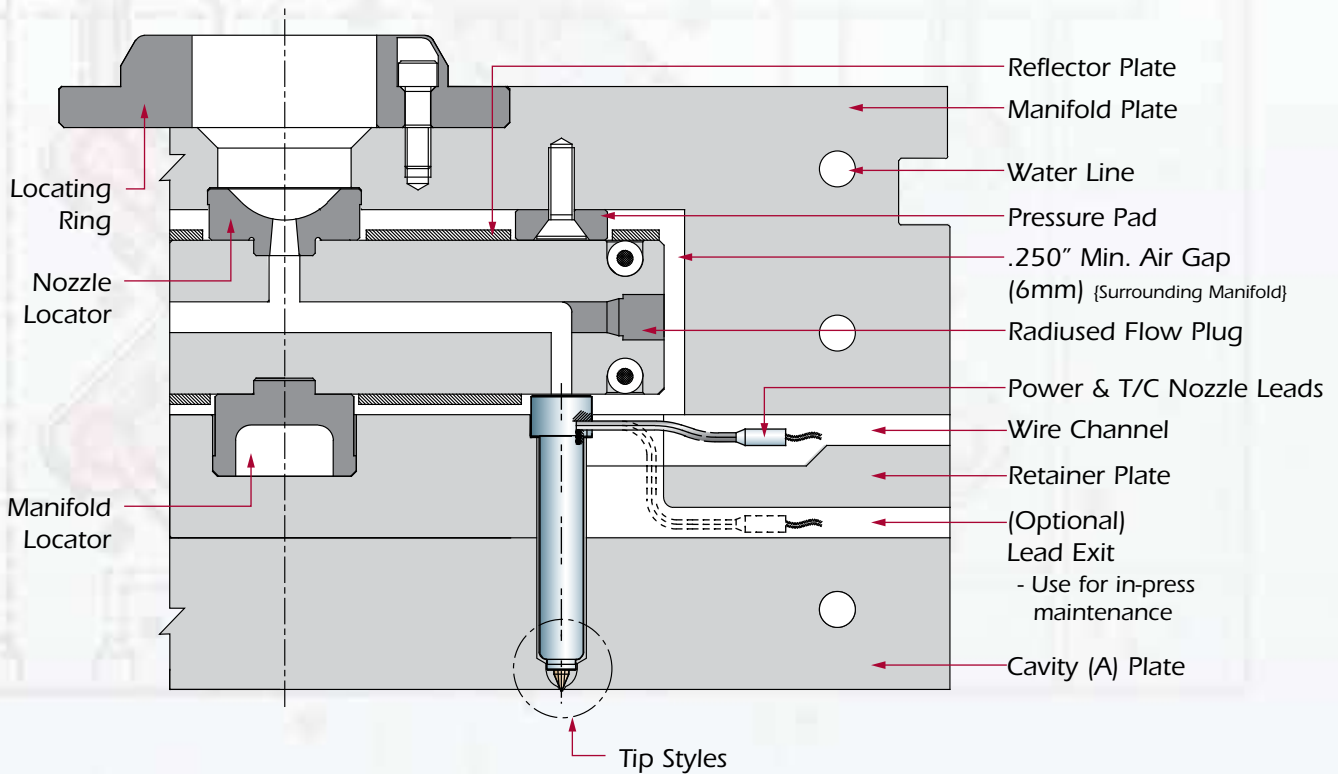
- **Close Pitch...**
means the Micron can service small molds/part shot sizes.
- **Exclusive "Flat Gate" System...**
means gate vestige is minimized and each design can be customized.
- **Unique Wear Resistant Tip Design...**
means less downtime due to tip repair.
- **Advanced Heat Profile...**
means consistent hot runner performance.
- **Resin Versatility...**
means a wide range of resins can be processed for more applications.
- **Replaceable Tips, Heater and T/C...**
means easy serviceability.

HEATER  **WERKS**

1900 E Devon Elk • Grove Village, IL 60007
Ph: 630-359-6200 • Fx: 630-589-8235
www.heaterwerks.com

Micron Series Hot Runner Nozzles

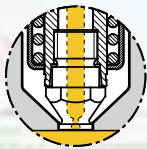
Manifold Application Diagram



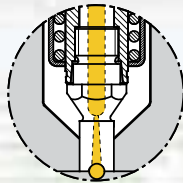
Tip Styles & Flow Diagrams



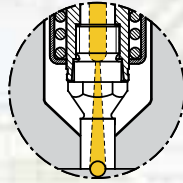
Pinpoint Style Tips
(Standard & Wear Resistant)



Sprue Style Tips
(Standard & Wear Resistant)



Extra Stock Sprue Style Tips
(Standard & Wear Resistant)



Extra Stock Sprue Style Tips - Nylon
(Wear Resistant)

HEATERWERKS

1900 E Devon Elk • Grove Village, IL 60007
Ph: 630-359-6200 • Fx: 630-589-8235
www.heaterwerks.com